

ARCTIKO ULUF P50

true cooling specialists



ULTRA LOW TEMPERATURE | BENCHTOP / UNDERCOUNTER FREEZER

Highly reliable compact ULT freezer with a space-saving design and low GWP due to natural refrigerant.

► RELIABLE FREEZING

The single compressor technology provides reliable low-temperature freezing and high temperature uniformity.

The freezer can reach -86 °C with only one compressor because of the absolutely unique single compressor technology. With the direct cooling, you can successfully achieve maximum temperature uniformity and minimum recovery time.

All in all, outstanding cooling performance and ultra low GWP (Global Warming potential) due to the Natural Refrigerant.

► ONE OF A KIND

This compact ULUF P50 undercounter/benchttop model is the ideal solution for the smaller lab with limited floor space. It can store up to 500 samples, still maintaining a small footprint and reduced energy consumption, which saves money in operational costs.

The models are developed for demanding standards that need a precise and uniform temperature environment - ideal freezers for storage of DNA, RNA and other biological samples.

► ENERGY EFFICIENCY

The compact space-saving cabinet design guarantees a reduced footprint because of the Arctiko's specifically developed vacuum insulated panels, optimizing the freezer to increase energy efficiency and cooling performance.

The vacuum insulated panels are of a high-efficient quality that secures the lowest possible energy consumption. VIP panels combined with Arctiko's state-of-the-art single compressor technology provide a safe and high-quality ULT freezer.



ULUF P50*

NATURAL REFRIGERANT



SINGLE COMPRESSOR SYSTEM



VACUUM INSULATED PANELS



NOISE REDUCTION TECHNOLOGY



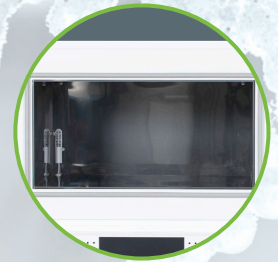
AIRFLOW CONTROL



FILTERLESS CONSTRUCTION



NATURAL REFRIGERANT



It includes a well-utilized inner compartment with room for up to 6000 samples. Its interior is made of the highly durable and robust stainless steel type AISI 304 for high sample safety and easy cleaning.

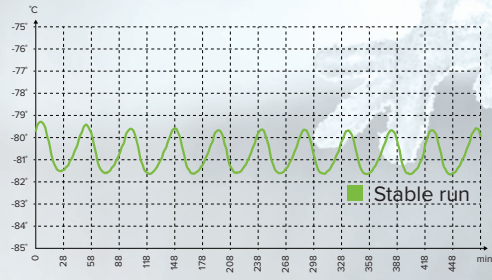
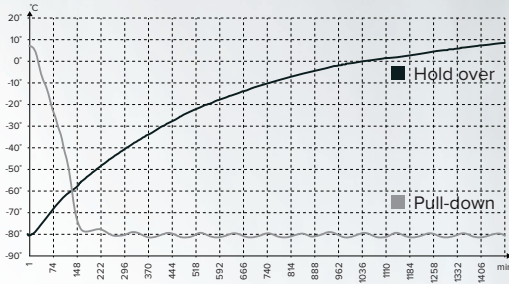


The unit is equipped with our brand new user-friendly 5" V500 controller that comes with the self-diagnostic test and ECO-mode reducing energy consumption while maintaining optimum temperature uniformity for the stored materials.



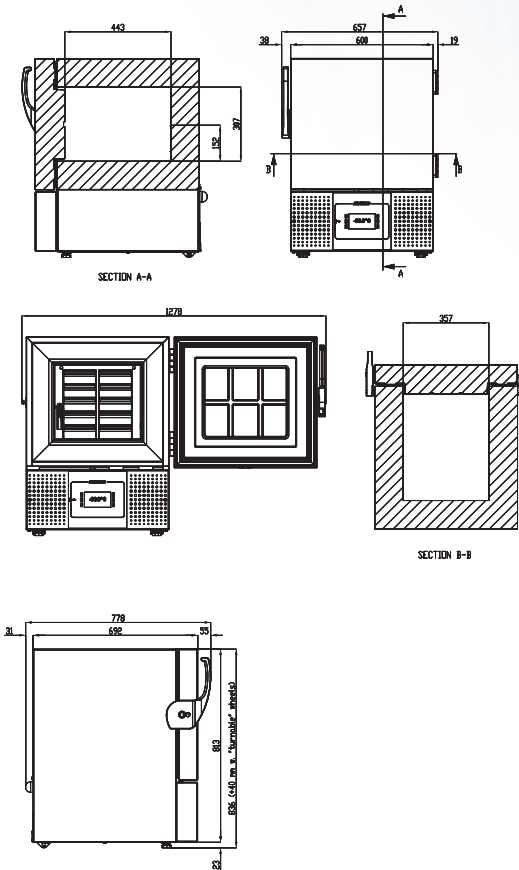
The Arctiko OneGrip™ handle is designed and developed for easy and ergonomic use. Daily operational routines can be performed with a smooth and easy one-handed door opening and closing experience.

* The pictures shown are for reference only, actual product size may vary. Please read the dimensions of the product in the specifications.



▲ IMPROVED RECOVERY TIMES

Pull-down times measures the time taken for temperature to rise, the faster the better. Hold over indication the freezers ability to keep the samples safe.



The ARCTIKO Integraline ULUF P50 Model supports following optional features:

- Modbus adapter for V500 controller
- Temperature chart recorder (external mounting)
- GSM alarm module
- Voltage converter
- Voltage stabilizer
- Racks & boxes
- Cryo gloves



MODEL		ULUF P50
Main specifications	Item code	DAI 1825
	Temperature range (°C)	-25 / -86
	Max. ambient temperature (°C)	25
	Capacity (L)	50
	Exterior dimensions WxDxH (mm)	657x778x836
	Interior dimensions WxDxH (mm)	357x443x307
	Weight (KG)	75
	Insulation (mm)	120
	Cooling technology	single system / static
Controller model / probe type	V500 / PT100	
Power	Power supply (V)	230
	Frequency (Hz)	50/60
	Power consumption (kWh/24h)	5,9
	AMP (A)	3,0
	Power (Watt)	420
Horse power (HP)	1/2	
Alarm functions	Alarm display as text - not codes	yes
	Visual / acoustic alarm	yes / yes
	Power failure alarm	yes
	Adjustable high / low temperature alarm	yes / yes
	Open door alarm	yes
	Probe failure alarm	yes
	Low battery alarm	yes
	Compressor failure alarm	yes
Battery backup for alarms (approx. hrs.)	72	
Data logging & external connection	Voltage free contact for remote alarm (e.g. GSM alarm module)	yes
	Electronic data logger	yes
	RS 485 port	optional
	USB port for software update & data download	yes
	Temperature chart recorder	optional (external mounting)
Display features	Display type	5" touch screen
	Number of optional reference probes	1
	Password protection for turning unit on / off	yes
	Temperature graph on display	yes
Other features	Automatic defrost	no
	Antifreeze function	no
	Vacuum release port	yes
	Access port for external probe etc. (int. diameter mm)	12
	Light	no
	Lock with key	yes
	Castors (total pcs) / castors with brake (pcs)	2 rollers / optional
	Fixed feet (pcs) / levelling feet (pcs)	0 / 2
	Sub lids / inner doors (pcs)	no
	Reversible door(s)	no
Fixed shelves (pcs) / adjustable shelves (pcs)	0 / 0	
Max. no. of shelves (pcs) / recommended max. no. of shelves (pcs)	0 / 0	
Max. load per shelf (kg)	0 / 0	
Total capacity of 50 mm boxes 9x9 dividers (pcs)	30	
Total capacity of 75 mm boxes 9x9 dividers (pcs)	18	
Total capacity of 96 mm boxes 9x9 dividers (pcs)	12	
Refrigeration & cabinet	Number of compressors	1
	Refrigerant	Nature R
	Interior cabinet material	stainless steel
	Exterior cabinet material	electrogalvanized steel
	Colour (exterior cabinet)	white
	Foam type	polyurethane
VIP vacuum insulated panels	yes	
Shipping	Shipping weight (KG)	108
	Shipping dimensions WxDxH (cm)	83x75x103
	Shipping volume (m³)	0,64