

ARCTIKO LFF 660

true cooling specialists



SMART FRIDGE AND FREEZER IN ONE CABINET, MAKES IT A PERFECT SOLUTION FOR LABORATORIES WITH LIMITED SPACE DUE TO THE SMALL FOOTPRINT.

With air forced cooling and automatic defrost which will save time to focus on what's most important and store the samples most reliable.

► INDEPENDENT & LESS FOOTPRINT

The LFF comes with two controllers allowing you to set and operate them as two independent units. With separate locks and passwords, it provides the ability to restrict access to storage and settings, in case the unit have multiple users.

The unit is in effect of two fully independent units each with it's own compressor, cooling circuit and controller – allowing to turn off one of the compartments in case that they are not in use for some time.

► AUTOMATIC DEFROST

With Arctiko's automatic defrost system it's not required to remove samples prior to defrosting, saving you valuable time to focus on what matter the most and at the same time stores the samples safely.

► EXCEPTIONAL COOLING

Arctiko has combined the high quality cooling performance created by air-forced cooling and automatic defrosting.

The results meet the more stringent requirements for lower power consumption, more precise cooling uniformity, need for temperature and alarm surveillance, documentation and validation, making the LFF range the perfect solution for biomedical storage.



LFF 660*



FORCED AIR COOLING



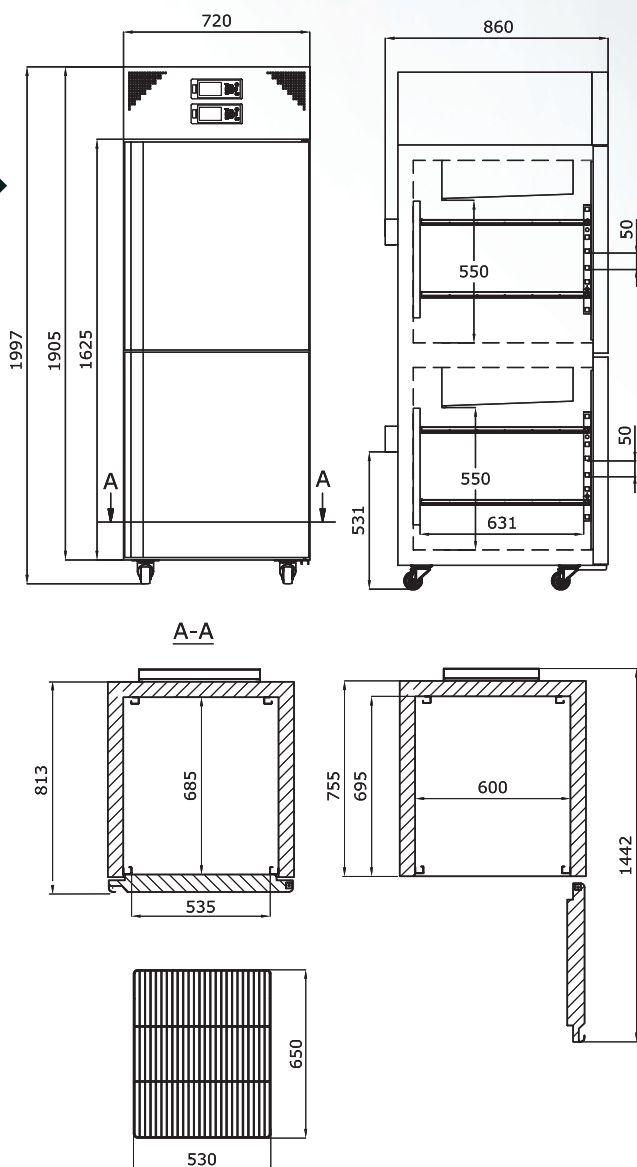
FILTERLESS CONSTRUCTION



AVAILABLE IN ATEX

The ARCTIKO LFF 660 model supports following optional features:

- GSM alarm module
- Temperature chart recorder
- Shelves (perforated, wire stainless steel, plastic coated)
- Stainless steel drawers
- Modbus adapter for G214 controller
- Voltage converter
- Voltage stabilizer
- LED Light



	MODEL	LFF 660
Main specifications	Item code	DAI 0265
	Temperature range (°C)	+1/ +10 -10 / -30
	Max. ambient temperature (°C)	32
	Capacity (L)	288 / 288
	Exterior dimensions WxDxH (mm)	720x860x1997
	Interior dimensions WxDxH (mm)	2x(600x685x700)
	Weight (KG)	163
	Insulation (mm)	60
	Cooling technology	forced air
Controller Model / probe type	G214 / PT1000	
Power	Power supply (V)	230*
	Frequency (Hz)	50/60
	Power consumption (kWh/24h)	11.3
	AMP (A)	5.1
	Power (Watt)	749
	Horse power (HP)	1/3 + 1/2
Alarm functions	Alarm display as text - not codes	yes
	Visual / acoustic alarm	yes / yes
	Power failure alarm	yes
	Adjustable high / low temperature alarm	yes / yes
	Open door alarm	yes
	Probe failure alarm	yes
	Low battery alarm	yes
	Compressor failure alarm	no
Battery backup for alarms (approx. hrs.)	72	
Data logging & external connection	Voltage free contact for remote alarm (e.g. GSM alarm module)	yes
	Electronic data logger	yes
	RS 485 port	yes
	USB port for software update & data download	yes
	Temperature chart recorder	optional
Display features	Display type	4,3" with touch buttons
	Number of optional reference probes	2
	Password protection for turning unit on / off	yes
	Temperature graph on display	yes
Other features	Automatic defrost	yes
	Antifreeze function	no
	Vacuum release port	no
	Access port for external probe etc. (int. diameter mm)	optional
	Light	no
	Lock with key	yes
	Castors (total pcs) / castors with brake (pcs)	4 / 2
	Fixed feet (pcs) / levelling feet (pcs)	no
	Sub lids / inner doors (pcs)	no
	Reversible door(s)	yes
	Fixed shelves (pcs) / adjustable shelves (pcs)	0 / 4
	Max. no. of shelves (pcs) / recommended max. no. of shelves (pcs)	16 / 8
	Max. load per shelf (kg)	30
	Adjustable drawers (pcs)	optional
Max. no. of adjustable drawers (pcs)	6	
Max. load per adjustable drawer (kg)	30	
Refrigeration & cabinet	Number of compressors	2
	Refrigerant	R290
	Interior cabinet material	stainless steel
	Exterior cabinet material	painted steel
	Colour (exterior cabinet)	white
	Foam type	polyurethane
Shipping	VIP vacuum insulated panels	no
	Shipping weight (kg)	218
	Shipping dimensions WxDxH (cm)	102x84x220
	Shipping volume (m ³)	1.88

*110V/60Hz available as option